


PRODUCT SHEET

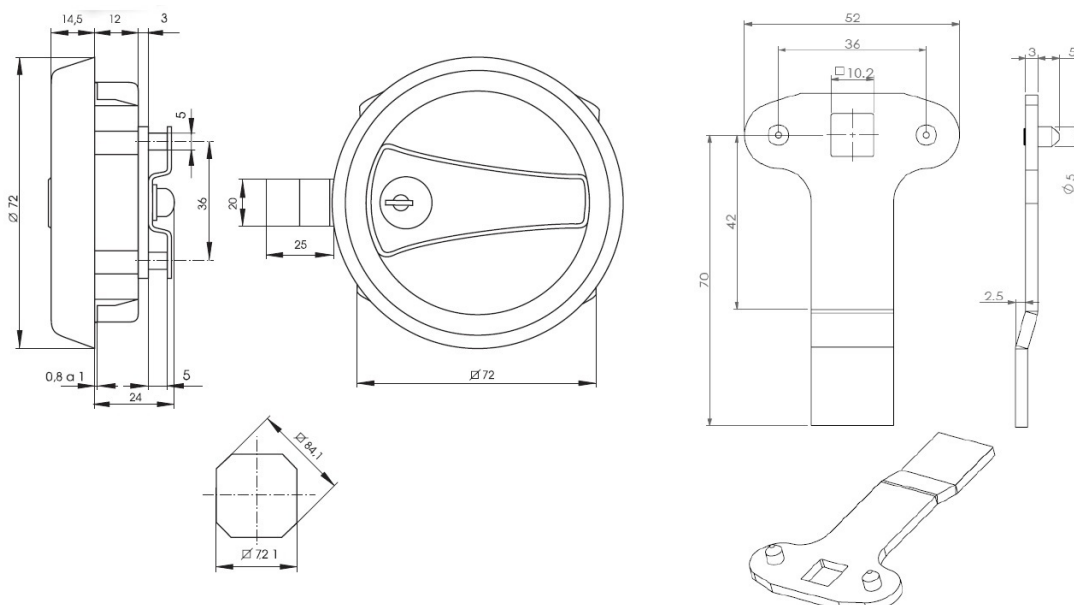
Description:

Locker Handle M8813,CPL/Black, CK SISO, F/Metal Cabinets,All Steel Parts Incl. Cylinder Front CPL, Plastic Parts Black,, Cam Premounted 3 O'Clock, 90 DG Turn, J#11, Cam No. H07

Item number:

14.08.020-0

Units	Box	Carton	HS Code	Barcode
Pcs.	5	100	8301300000	
				5704866044776



SISO A/S

Mileparken 11
DK-2740 Skovlunde
Denmark
VAT: DK 24786013

Phone +45 45 830 900

www.siso.dk
siso@siso.dk

Danske Bank
Nytorv Branch
Copenhagen
SWIFT: DABADKKK

Account no.
4180 3112 112936
IBAN Account
DK7230003112112936